



Features

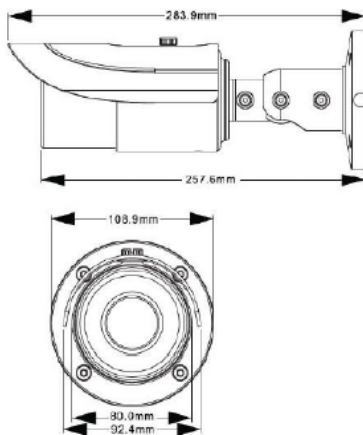
- 1080p HD IR Vari-Focal camera
- 1/2.8" CMOS sensor, 30fps
- H.264 compression
- 2 independent video streams
- f=2.8mm ~ 12mm vari-focal lens
- ~20m IR illumination range
- True day & night operation with auto IR-cut filter
- IP66 weather proof
- Power over Ethernet, PoE

Specifications

MODEL		MP275E-HD
VIDEO	IMAGE SENSOR	1/2.8" CMOS Sensor
	RESOLUTION	1920 x 1080 (1080p) / 1280 x 720 (720p) / 640 x 480 (VGA) / 320 x 240 (QVGA)
	FRAME RATE	Up to 30fps (1080p) / 30fps (720p)
	MINIMUM ILLUMINATION	0.0 Lux, IR ON, ~20m
	LENS	f=2.8mm ~ 12mm
	AUTO IR-CUT FILTER	Yes
	VIDEO SETTINGS	Brightness/Contrast/Saturation
CONNECTIVITY	NETWORK INTERFACE	RJ-45
	NETWORK PROTOCOL	TCP/IP, UDP, DHCP, NTP, RTSP, SMTP
	DYNAMIC IP	DDNS
	VIDEO MAIN STREAM RESOLUTION	1920 x 1080 (30fps) / 1280 x 720 (30fps)
	VIDEO SUB STREAM RESOLUTION	1280 x 720 (10fps) / 640 x 480 (30fps) / 320 x 240 (30fps)
	CONCURRENT USERS	4 (Independent)
COMPRESSION	WEB SERVER	Built-in
	VIDEO COMPRESSION	H.264
POWER	VIDEO STREAMING	2 Independent Streams
	POWER IN	12V DC / PoE (IEEE 802.3af)
OPERATING ENVIRONMENT	MAX. RATING	2.52W / 6.5W (IR On)
	AMBIENT TEMPERATURE	-40°C - 50°C
	RELATIVE HUMIDITY	10 ~ 90% (No Condensation)
MECHANICAL DESIGN	WEATHER PROOF	IP66
	NET WEIGHT	1.2kg

Dimensions

Unit: mm



Distributed by:

PILOT ENGINEERING HK LTD.

Rm H, 9/F, Block 4, Golden Dragon Industrial Centre, 182-190 Tai Lin Pai Road, Kwai Chung, NT.

Tel: 2736 6628 Fax: 2735 1229 Website: www.pilot-hk.com Email: info@pilot-hk.com